



Rollmaxx
 nexxgen

SW3500

FEATURES:

Aluminium Deck Construction

Hinged Aluminium Ramps

Top Quality Components;
 including LED Lights

Robust Steel Mudguards;
 Powdercoated in a range of colours

HDPE Buffers on Bucket Rest

Mechanical-Override Braking
 AVS Approval No. 50387/50664

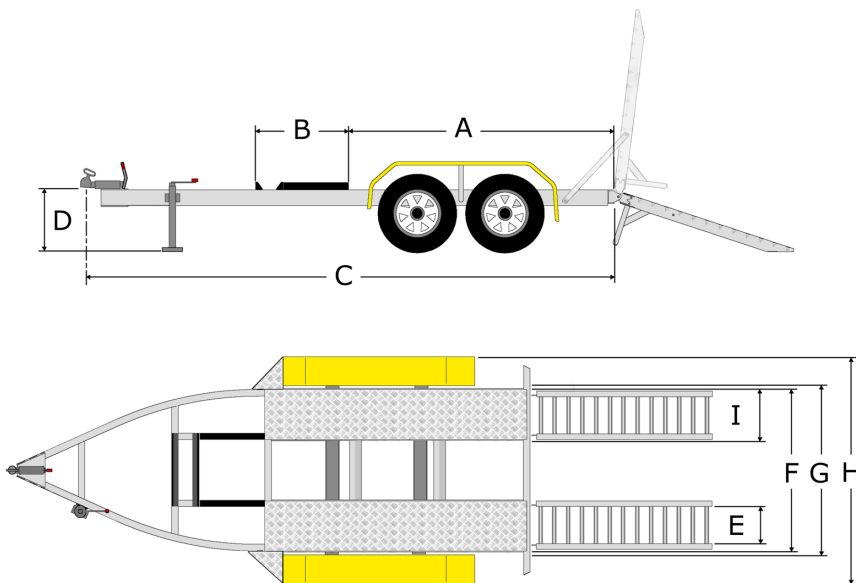
Mechanical Drum Brakes

15" Steel Wheels

50mm Lockable Head Coupling

The Rollmaxx Nexxgen SW3500 model is designed for transportation of Mini Excavators and Loaders.

These compact Trailers maintain impressively low tare weights, yet allows 2,940kg of equipment to be towed with an Aggregate Trailer Mass [A.T.M] of just 3,500kg.



A	2600
B	1135
C	5110
D	450
E	400
F	1800
G	1870
H	2400
I	650

TARE:	560kg
A.T.M	3500kg
PAYLOAD:	2940kg

A - Deck Length
 B - Bucket Rest Length

C - Trailer Length
 D - Coupling Height
 E - Ramp Width
 (internal)

F - Deck Width
 G - Clearance Between Guards
 H - Trailer Width
 I - Deck Section Width



Move Better.